

DOMUS DHU-100C TOUCH II High Spin Washers

WINNING THE FUTURE THROUGH INNOVATION

TOUCH II

7" touchscreen, user friendly and totally programmable.
Videos on display, ads, instructions.
37 Languages.
Free software for programming, telemetry, data analysis.
USB Connection

G FORCE

G-FACTOR 500 (25 - 40 Lbs.)
G-FACTOR 450 (50 - 180C Lbs.)
G-FACTOR 350 (230C - 275C Lbs.).
It reduces the residual moisture.

EFFICIENCY

Optimal loading: manual indication of weight.
Intelligent consumption: automatic adjustment of water and soap consumptions (standard).
ECOTANK and **ECOTANK XL**.
Low water consumption.

VERSATILITY

custom - Make to order
OPL or COIN (DHU-25 up to DHU-100C).
Electric or Hot water.
Drain valve or Pump (DHU-25/14).
Wet cleaning features.

CONNECTIVITY

IoT - **DOMUSCONNECT** standard.
Remote technical service.
Management for laundries: OPL and COIN.

ERGONOMICS

Reversible doors.
Large Loading doors:
• Ø 373 (25, 30 Lbs.)
• Ø 460 (40, 50, 65 Lbs.)
• Ø 560 (80, 100, 135, 180 Lbs.)
• Ø 700 (230, 275 Lbs.)

MAINTENANCE

Hinged control panel: easy and ergonomic access.
Technical menu: statistics for technicians.

OTHERS

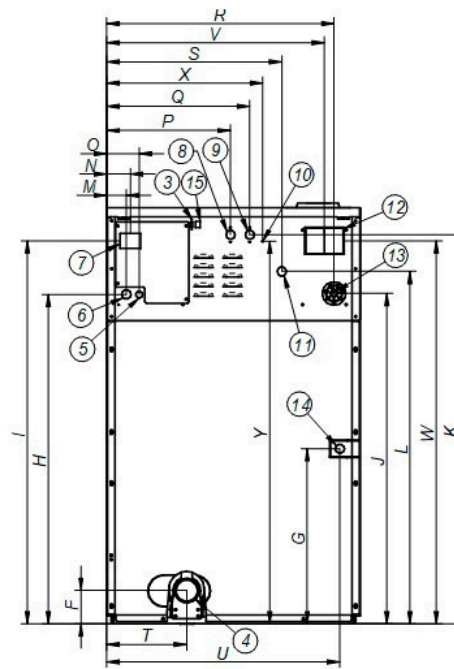
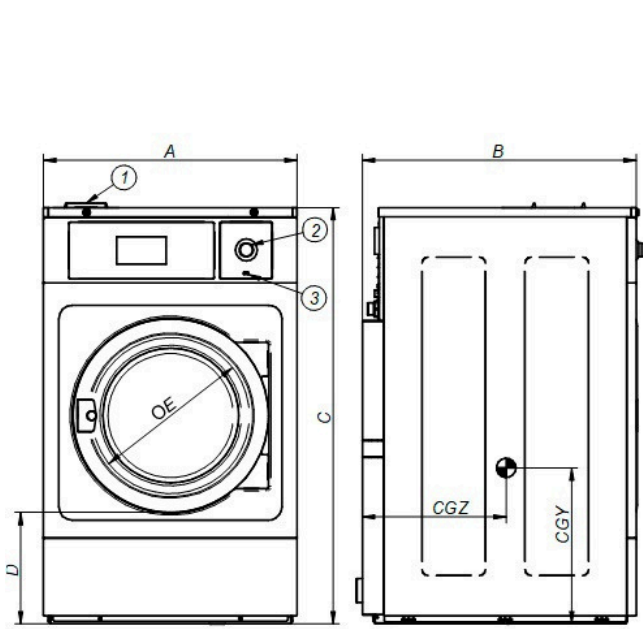
Grey skin plate outer casing.
Drum in stainless steel AISI 304.
Detergent dispenser with 4 compartments.
Soft mounted washers, free standing.
CB and WRAS approved product. Option ETL.



OPTIONS

- License IoT - Domus Connect
- EXTRA DOSING PUMP DB-1
- Double drain kit for DHU-135C/180C
- Normally closed valve DHU-100C
- Water Recovery Tank.
- Leveling feet for DHU-25 to DHU-65
- Weighing sensor system on feet for DHU-25 to DHU-100C.
- 6 extra dosing signals card for DHU-25 to DHU-100C.
- Reverse door opening
- Tropicalized model: protected board for DHU-80C/100C. (135 to 275 Lbs. included standard)
- Kit to transform an E or HW DHU-65/80C/100C to steam
- Stainless steel plinth for DHU-100C to align the door base 33.45 In.
- Skin plate plinth for DHU-100C to align the door base at 33.46 In.
- Stainless steel AISI 304 outer casing for DHU-100C
- Auto unlock kit for the door (in case of power failure) DLS-DHS

DRUM	UNIT.	DHU- 100C TOUCH II	
Capacity 1/9	Lb.	103.6	
Capacity 1/10	Lb.	92.6	
Volume	CU.FT	15.9	
Diameter	In	33.9	
Depth	In	28.4	
GENERAL DETAILS			
Washing speed / Spinning speed	r.p.m.	42.5/966	
G Factor	-	450	
Maximum force transmitted	KN	7.36 ±2.45	
Frequency-dynamic force	Hz	14,3	
Noise level	dB	<70	
Coin laundry version	-	No	
Double drain	-	Opt.	
Weighing system / Tilting door	-	Opt./No	
SLUICE option	-	No	
DOOR			
Height center door / Height door	In	34.9/21.3	
Diameter	In	22.1	
POWER			
Motor	Hp	8	
Electric heating power	kW	21	
Total electric power (electric model)	kW	22	
Total electric power (hw, steam model)	kW	6	
CONNECTIONS		E	HW/S
Voltage 208-240/60/1~ + G	Nº x AWG / A	-	-
Voltage 208-240/60/3~ + G	Nº x AWG / A	4 x 6 / 70A	4 x 10 / 30A
Voltage 440-480/3 ~ + G	Nº x AWG / A	4 x 8 / 45A	4 x 14 / 15A
Steam inlet (Steam model)	inch	3/4"	
Maximum steam consumption (Steam model)	Lbs/h	18	
Water inlet	inch	3/4"	
Water main pressure	Kgs/cm ²	2-4	
Maximum water consumption*	Gal/h	88.7*	
Drain	mm/inch	3"	
Drainage capacity	Gal/min	52.8	
DIMENSIONS / PACKING DIMENSIONS			
Net Width/Gross width	In	43.11/47.5	
Net Depth/Gross depth	In	51.34/56.7	
Net Height / Gross height	In	68.11/72.9	
Net weight / Gross weight	Lb.	1647/1881	
Volume	Ft ³	116.5	



1. Soap dispenser
2. Emergency stop
3. USB port
4. Drain
5. Electric connection to liquid soap pumps
6. Electrical connection
7. Main switch
8. Auxiliary water inlet
9. Hot water inlet
10. Equipotential connection
11. Cold water inlet
12. Blur output / Water overload
13. Liquid soap connection
14. Steam connection
15. Ethernet port
16. Clean side light

	A	B	C	D	E	F	G	H	I	J	K	L	M	N	O	P	Q	R	S	T	U	V	W	X	Y	CGY	CGZ	
DHU-100G	mm	1095	1304	1730	525	560	158	576	1330	1498	1331	1513	1417	61	74	101	596	676	976	808	384	1028	946	1496	740	1558	795	800
	inch	43.11	51.34	68.11	20.67	22.05	6.22	22.68	52.36	58.98	52.40	59.57	55.79	2.40	2.91	3.98	23.46	26.61	38.43	31.81	15.12	40.47	37.24	58.90	29.13	61.34	31.30	31.50