

TOUCH II

7" touchscreen, user-friendly, programmable
 USB Connection: PC software free of charge
 37 languages, continually expanded
 Upload videos to display, use for ads, instructions, etc.

G-FORCE EXTRACTION

25-100 lb capacity washers: 200G
 135-180 lb capacity washers: 150G
 Fully programmable



CONNECTIVITY

DomusConnect - IoT
 Provided at NO extra charge
 Manage your laundry anywhere, at anytime, 24/7
 Create programs, special promotions, access real-time reports, have service alerts go directly to technicians, and much more.



EFFICIENCY

Intelligent consumption, automatically adjusts water and chemicals
 Low energy and water consumption



VERSATILITY

Easily converts from OPL to COIN
 Electric or Hot Water
 Wetcleaning ready
 Extraction speed and water levels easily programmed for applications such as wetcleaning and for firehouse turnout gear (program extraction to 100G)

ERGONOMICS

Reversible doors, standard
 Large doors for easy loading, unloading



MAINTENANCE

Hinged front control panel, easy and ergonomic access
 Technical menu, statistics for technicians
 Equivalent parts across all models

MORE INFO

Hard mount washer
 Anchor to floor with base (see intallation manual)
 3 water inlets
 CE , WRAS approved

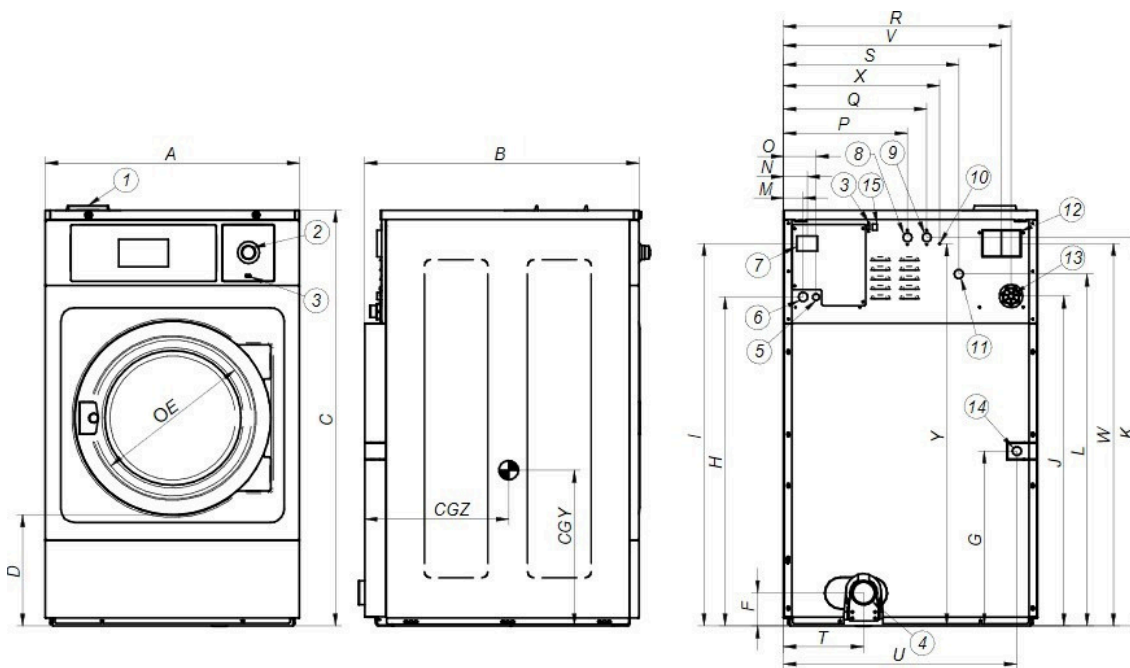


OPTIONS

- DomusConnect communication kit
- Auto unlock kit for door (in case of power failure) - recommended for vended laundries
- AISI 304 Stainless Steel outer casing
- AISI 304 Stainless Steel top and front panels
- Silicon gasket
- 6 extra dosing signals avail for DLU-25 to DLU-100
- Normally closed drain valve
- Double drain kit for DLU-40/50/65/80C/100C
- Anchoring base
- Ready for EcoTank conn. 3/4" for washers DLU/ DHU 25-65
- Extra dosing pump DB-1
- Sluice - Drum
- Coin/token kit

| DRUM | UNIT. | DLU-50 TOUCH II | |
|---|---------------------|-----------------|--------------|
| Capacity 1/9 | Lb. | 55.1 | |
| Capacity 1/10 | Lb. | 48.5 | |
| Volume | Cu.Ft | 7.8 | |
| Diameter | in | 27.6 | |
| Depth | In | 22.1 | |
| GENERAL DETAILS | | | |
| Washing speed / Spinning speed | r.p.m. | 50/714 | |
| G Factor | - | 200 | |
| Maximum force transmitted | KN | 3.04 ±5 | |
| Frequency-dynamic force | Hz | 8.42 | |
| Noise level | dB | <70 | |
| Coin laundry version | - | Yes | |
| Double drain | - | Opt. | |
| Weighing system / Tilting door | - | No | |
| SLUICE option | - | Yes | |
| DOOR | | | |
| Height center door / Height door | In | 25.8/13.7 | |
| Diameter | In | 18.1 | |
| POWER | | | |
| Motor | Hp | 3 | |
| Electric heating power | kW | 12 | |
| Total electric power (electric model) | kW | 12.75 | |
| Total electric power (hw, steam model) | kW | 2.2 | |
| CONNECTIONS | | E | HW/S |
| Voltage 208-240/60/1~ + G | Nº x AWG / A | 3 x 10 / 70A | 3 x 14 / 15A |
| Voltage 230/3~ + G | Nº x AWG / A | 4 x 8 / 40A | - |
| Voltage 440-480/3 ~ + G | Nº x AWG / A | 4 x 10 / 30A | - |
| Steam inlet (Steam model) | inch | 1/2" | |
| Maximum steam consumption (Steam model) | Kg/h | 12 | |
| Water inlet | inch | 3/4" | |
| Water main pressure | Kgs/cm ² | 2-4 | |
| Maximum water consumption* | Gal/h | 31.7* | |
| Drain | mm/inch | 3" | |
| Drainage capacity | Gal/min | 52.8 | |
| DIMENSIONS / PACKING DIMENSIONS | | | |
| Net Width/Gross width | In | 31.02/33.5 | |
| Net Depth/Gross depth | In | 40.75/43.6 | |
| Net Height / Gross height | In | 51.46/62.4 | |
| Net weight / Gross weight | Lb. | 650.5/738.7 | |
| Volume | Ft3 | 53 | |

* Program No. 20: DLU-25 to DLU-100C with 75% load and program no. 2: DLU-135C and 180C with 100% load



1. Soap dispenser
2. Emergency stop
3. USB port
4. Drain
5. Electric connection to liquid soap pumps
6. Electrical connection
7. Main switch
8. Auxiliary water inlet
9. Hot water inlet
10. Equipotential connection
11. Cold water inlet
12. Blur output / Water overload
13. Liquid soap connection
14. Steam connection
15. Ethernet port
16. Clean side light

| | | A | B | C | D | E | F | G | H | I | J | K | L | M | N | O | P | Q | R | S | T | U | V | W | X | Y | CGY | CGZ |
|--------|------|-------|-------|-------|-------|-------|------|-------|-------|-------|-------|-------|-------|------|------|------|-------|-------|-------|-------|------|-------|-------|-------|-------|-------|-------|-------|
| DLU-50 | mm | 788 | 1035 | 1307 | 348 | 460 | 143 | 552 | 1035 | 1203 | 1038 | 1222 | 1107 | 61 | 74 | 101 | 385 | 445 | 706 | 545 | 245 | 724 | 676 | 1202 | 485 | 1202 | 479 | 546 |
| | inch | 31.02 | 38.20 | 51.46 | 13.70 | 18.11 | 4.63 | 21.73 | 40.75 | 47.36 | 40.87 | 48.11 | 43.58 | 2.40 | 2.91 | 3.98 | 15.16 | 17.52 | 27.80 | 21.42 | 9.56 | 28.50 | 26.61 | 47.32 | 19.09 | 47.32 | 18.86 | 21.50 |