

TOUCH II

7" touchscreen, user-friendly, programmable
 USB Connection: PC software free of charge
 37 languages, continually expanded
 Upload videos to display, use for ads, instructions, etc.

G-FORCE EXTRACTION

25-100 lb capacity washers: 200G
 135-180 lb capacity washers: 150G
 Fully programmable



CONNECTIVITY

DomusConnect - IoT
 Provided at NO extra charge
 Manage your laundry anywhere, at anytime, 24/7
 Create programs, special promotions, access real-time reports, have service alerts go directly to technicians, and much more.



EFFICIENCY

Intelligent consumption, automatically adjusts water and chemicals
 Low energy and water consumption



VERSATILITY

Easily converts from OPL to COIN
 Electric or Hot Water
 Wetcleaning ready
 Extraction speed and water levels easily programmed for applications such as wetcleaning and for firehouse turnout gear (program extraction to 100G)

ERGONOMICS

Reversible doors, standard
 Large doors for easy loading, unloading



MAINTENANCE

Hinged front control panel, easy and ergonomic access
 Technical menu, statistics for technicians
 Equivalent parts across all models

MORE INFO

Hard mount washer
 Anchor to floor with base (see intallation manual)
 3 water inlets
 CE , WRAS approved

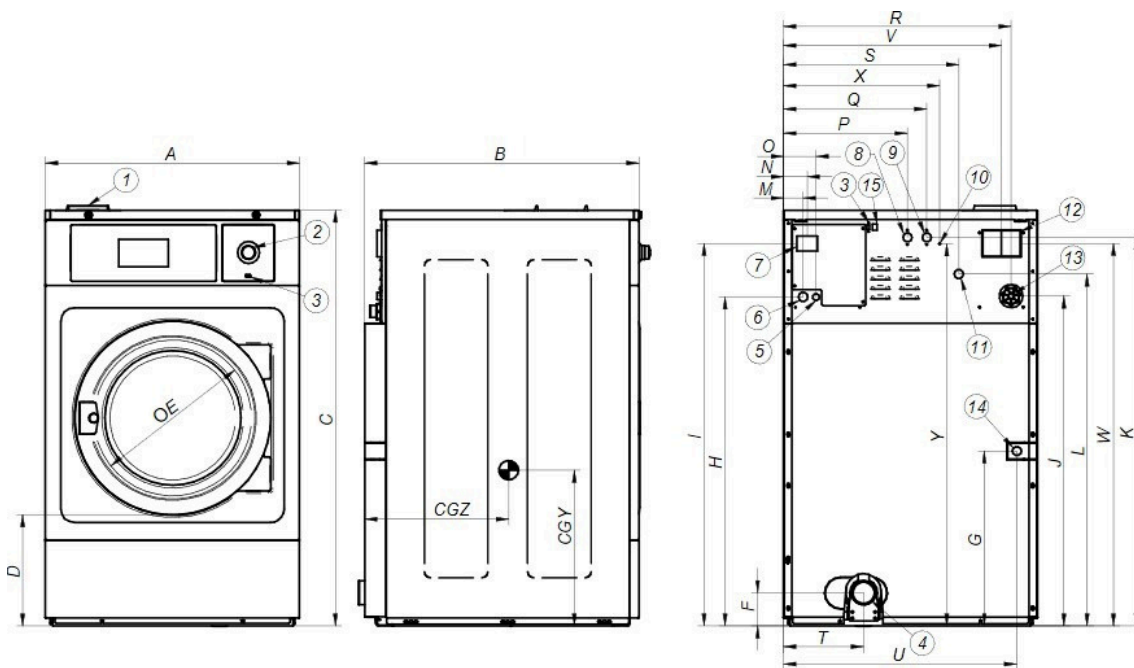


OPTIONS

- DomusConnect communication kit
- Auto unlock kit for door (in case of power failure) - recommended for vended laundries
- AISI 304 Stainless Steel outer casing
- AISI 304 Stainless Steel top and front panels
- Silicon gasket
- 6 extra dosing signals avail for DLU-25 to DLU-100
- Normally closed drain valve
- Double drain kit for DLU-40/50/65/80C/100C
- Anchoring base
- Ready for EcoTank conn. 3/4" for washers DLU/DHU 25-65
- Extra dosing pump DB-1
- Sluice - Drum
- Tropicalized model: protected board (TOUCH II)
- Coin/token kit

DRUM	UNIT.	DLU- 40 TOUCH II	
Capacity 1/9	Lb.	44.1	
Capacity 1/10	Lb.	39.7	
Volume	Cu.Ft	6.5	
Diameter	in	27.6	
Depth	In	18.5	
GENERAL DETAILS			
Washing speed / Spinning speed	r.p.m.	50/714	
G Factor	-	200	
Maximum force transmitted	KN	2.63 ±5	
Frequency-dynamic force	Hz	8.42	
Noise level	dB	<70	
Coin laundry version	-	Yes	
Double drain	-	Opt.	
Weighing system / Tilting door	-	No	
SLUICE option	-	Yes	
DOOR			
Height center door / Height door	In	25.8/13.7	
Diameter	In	18.1	
POWER			
Motor	Hp	3	
Electric heating power	kW	12	
Total electric power (electric model)	kW	12.75	
Total electric power (hw, steam model)	kW	2.2	
CONNECTIONS		E	HW/S
Voltage 208-240/60/1~ + G	Nº x AWG / A	3 x 10 / 70A	3 x 14 / 15A
Voltage 208-240/60/3~ + G	Nº x AWG / A	4 x 8 / 40A	-
Voltage 440-480/3 ~ + G	Nº x AWG / A	4 x 10 / 30A	-
Steam inlet (Steam model)	inch	1/2"	
Maximum steam consumption (Steam model)	Kg/h	12	
Water inlet	inch	3/4"	
Water main pressure	Kgs/cm ²	2-4	
Maximum water consumption*	Gal/h	31.7*	
Drain	mm/inch	3"	
Drainage capacity	Gal/min	52.8	
DIMENSIONS / PACKING DIMENSIONS			
Net Width/Gross width	In	31.02/33.5	
Net Depth/Gross depth	In	36.81/39.9	
Net Height / Gross height	In	51.46/62.4	
Net weight / Gross weight	Lb.	599.8/681.3	
Volume	Ft ³	48	

* Program No. 20: DLU-25 to DLU-100C with 75% load and program no. 2: DLU-135C and 180C with 100% load



1. Soap dispenser
2. Emergency stop
3. USB Port
4. Drain
5. Electric connection to liquid soap pumps
6. Electrical connection
7. Main switch
8. Auxiliary water inlet
9. Hot water inlet
10. Equipotential connection
11. Cold water inlet
12. Blur output / water overload
13. Liquid soap connection
14. Steam connection
15. Ethernet port
16. Clean side light

		A	B	C	D	E	F	G	H	I	J	K	L	M	N	O	P	Q	R	S	T	U	V	W	X	Y	CGY	CGZ
DLU-40	mm	788	935	1307	348	460	143	552	1035	1203	1038	1222	1107	61	74	101	385	445	706	544	245	724	676	1202	485	1202	479	546
	inch	31.02	36.81	51.46	13.70	18.11	5.63	21.73	40.75	47.36	40.87	48.11	43.58	2.40	2.91	3.98	15.16	17.52	27.80	21.42	9.65	28.50	26.61	47.32	19.09	47.32	18.86	21.50