



# MAYTAG® COMMERCIAL FRONT-LOAD SUPER-CAPACITY DRYER

LAUNDRY SOLUTIONS  
YOU CAN *DEPEND* ON.

## THE PERFECT MATCH FOR LARGER WASHERS

Maytag® Commercial front-load super-capacity dryers perform in sync with Energy Advantage™ high-efficiency front-load washers to reduce waiting times. Plus, the powerful 220-cfm diagonal airflow dries quickly and efficiently.

## MICROPROCESSOR CONTROL

Maytag® Computer Trac® controls are easy to program and provide simple one-touch cycle selection. The panel displays operating instructions, a countdown of cycle time remaining and more.



## FOR YOUR OPERATION:

- Super Capacity For Big And Bulky Loads
- Powerful 220-cfm Diagonal Airflow
- Extra-Large Reversible Door Opens 180°
- One-Touch Cycle Selection
- Large-Capacity Lint Filter
- Meets ADA Accessibility Guidelines
- Convenient Self-Diagnostics And Front Access For Do-It-Yourself Service

## BUILT-TO-LAST™ FEATURES:

- Premium Porcelain-Enamel Top
- Tri-Coat™ Cabinet Protection
- Cushioned Drum Suspension
- Permanently Lubricated Bearings
- The Best Warranty In The Business

# MDE/MDG21PN

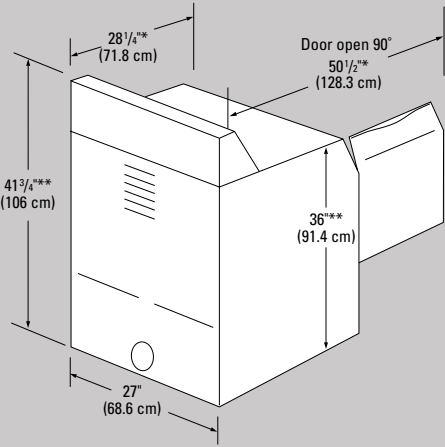


PROVIDES  
**EFFICIENT  
DRYING**  
AT GENTLE TEMPERATURES.

# Maytag® Front-Load Super-Capacity Dryer

## MICROPROCESSOR CONTROL

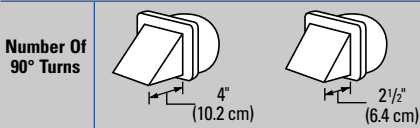
		Front-Load Super-Capacity Dryer
<b>DRYER SPECIFICATIONS</b>		
<b>MODEL</b>	<b>MDE/MDG21PN</b>	
<b>MOTOR</b>		
Single-phase, thermoprotected against overload, auto-reset	•	
HP (kw)	1/4 (.19)	
<b>CAPACITY</b>		
Cu. ft. (cu. m)	6 (.17)	
<b>DOOR OPENING DIAMETER</b>		
In. (cm)	18 1/2 (47)	
<b>AIRFLOW</b>		
Domestic models — cfm (cmm)	220 (6.2)	
Export models — cfm (cmm)	180 (5)	
<b>ELECTRICAL REQUIREMENTS</b>		
MDE model — volts (Hz)	240 (60)	
MDG model — volts (Hz)	120 (60)	
Export models — volts (Hz)	220 – 240 (50)	
<b>BREAKER/FUSE REQUIREMENTS</b>		
MDE model — amps	30	
MDG model — amps	15	
MDE export model — amps	20	
MDG export model — amps	10	
<b>APPROXIMATE OVERALL DRAW</b>		
Domestic models — watts	5,900	
Export models — watts	4,800	
<b>EXHAUST DUCT DIAMETER</b>		
In. (cm)	4 (10.2)*	
<b>NICHROME HELIX COIL HEATING ELEMENT</b>		
MDE model	•	
<b>SINGLE-PORT BURNER</b>		
MDG model	•	
<b>GAS RATING</b>		
MDG model — BTU/hr. (kcal/hr.)	24,000 (6,048)	
MDG export model — BTU/hr. (kcal/hr.)	20,000 (5,040)	
<b>GAS INLET</b>		
MDG model — in. (cm)	1/2 (1.3)	
<b>ADJUSTABLE LEVELING LEGS</b>		
	•	
<b>COLOR</b>		
White	•	
<b>APPROXIMATE WEIGHT</b>		
Crated — lbs. (kg)	163 (74)	
Uncrated — lbs. (kg)	144 (65)	
*Use a minimum of 4" (10.2 cm) -diameter rigid aluminum or rigid galvanized-steel duct. Never use plastic, nonmetal or combustible duct.		
See specific instructions for proper installation. Because of continuous product improvement, Maytag reserves the right to change specifications without notice.		



\* Includes hinge on back of dryer.

\*\* Dimensions will vary according to adjustment of leveling legs; add 2" (5.1 cm) minimum.

### MAXIMUM EXHAUST DUCT LENGTH PER NUMBER OF TURNS



#### 4"-diameter rigid metal duct

Number Of 90° Turns	0	1	2	3	4
	65 ft. (19.8 m)	54 ft. (16.5 m)	44 ft. (13.4 m)	36 ft. (11 m)	28 ft. (8.5 m)
		48 ft. (14.6 m)	38 ft. (11.6 m)	30 ft. (9.1 m)	22 ft. (6.7 m)

#### 4"-diameter flexible stiff-walled metal duct

Number Of 90° Turns	0	1	2	3	4
	36 ft. (11 m)	32 ft. (9.8 m)	28 ft. (8.5 m)	25 ft. (7.6 m)	23 ft. (7 m)
		28 ft. (8.5 m)	24 ft. (7.3 m)	17 ft. (5.2 m)	15 ft. (4.6 m)



## 5 YEARS — ALL PARTS

For a period from the date of original purchase through the time listed above, the designated parts that fail in normal commercial use will be repaired or replaced free of charge for the part itself, with the owner paying all other costs, including labor, transportation and customs duty. Chemical damage is excluded from all warranty coverage. See complete warranty for details.

