



MAYTAG® COMMERCIAL TOP-LOAD WASHER

LAUNDRY SOLUTIONS
YOU CAN *DEPEND* ON.

THE LONGEST-LASTING TOP-LOAD WASHER

Maytag® top-load washers last longer than other leading brands, thanks to a simple design that reduces wear. It's another way you can depend on Maytag to maximize your equipment investment.

MECHANICAL COIN-SLIDE

The MAT12CS features reliable electromechanical timer controls and an easy-to-operate coin slide that's familiar to customers.



FOR YOUR CUSTOMERS:

- Dial-A-Fabric™ Cycle Selection
- Cycle Stage Indicator Lights
- Extra-Large Lid And Tub Opening
- Bilingual English/Spanish Instructions Available

FOR YOUR OPERATION:

- Accepts A Variety Of Slides
- Front Access For Easy Self Service
- Ball Lid™ Hinges Allow Easy Removal For Cleanup

BUILT-TO-LAST™ FEATURES:

- Dependable Drive® Orbital Transmission
- Poly-Pump™ Polypropylene Pump Can't Rust
- Premium Porcelain-Enamel Top
- Quad Coat™ Cabinet Protection
- Heavy-Duty Leveling Legs
- The Best Warranty In The Business

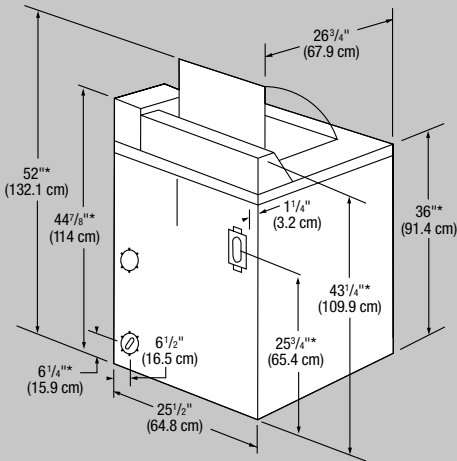
MAT12CS



**#1 PREFERRED
TOP-LOAD
WASHER BRAND BY LAUNDRY
STORE OWNERS ACROSS
AMERICA.**

Maytag® Top-Load Washer

MECHANICAL COIN-SLIDE



* Dimensions will vary according to adjustment of leveling legs; add 1/2" (1.3 cm) minimum.



5 YEARS — ALL PARTS

For a period from the date of original purchase through the time listed above, the designated parts that fail in normal commercial use will be repaired or replaced free of charge for the part itself, with the owner paying all other costs, including labor, transportation and customs duty. Chemical damage is excluded from all warranty coverage. See complete warranty for details.



	Top-Load Washer
WASHER SPECIFICATIONS	
MODEL	MAT12CS
MOTOR	
Single-phase, reversible, thermoprotected	•
HP (kw)	1/2 (.37)
APPROXIMATE WATER USAGE — gal. (liters)	
Factory preset hot cycle average, hot water	6 1/2 (24.6)
Factory preset average, overall	31 1/2 (119.2)*
Adjustable setting	29 (109.8)
ELECTRICAL RATING	
Export model	120V, 60 Hz
FUSE REQUIREMENT	
Domestic model — amps	15
Export model — amps	10
CYLINDER	
Volume — cu. ft. (liters)	2 1/2 (70.8)
Diameter — in. (cm)	20 1/2 (52.1)
Depth — in. (cm)	15 (38.1)
DOOR OPENING	
In. (cm)	16 (40.6)
EXTRACT SPEED	
Maximum rpm	618
Maximum g-force	110
OPERATING PRESSURE	
Psi (bar)	15 – 120 (1 – 8)
INLET HOSE LENGTH	
Ft. (m)	4 (1.22)
DRAIN HOSE LENGTH	
Ft. (m)	4 (1.22)
ADJUSTABLE LEVELING LEGS	
	•
COLORS	
White	•
Bisque	•
APPROXIMATE WEIGHT — lbs. (kg)	
Crated	224 (102)
Uncrated	198 (90)
* Average based on testing with a 14-pound AHAM load.	
Flush-to-wall installation is permitted by a 1 1/4" (3.2 cm) back panel overhang.	
See specific instructions for proper installation. Because of continuous product improvement, Maytag reserves the right to change specifications without notice.	



NEW YORK CITY
M.E.A.

