



LAUNDRY **SOLUTIONS**  
YOU CAN **DEPEND** ON.

# MAYTAG® COMMERCIAL ENERGY ADVANTAGE™ RIGID-MOUNT FRONT-LOAD WASHERS

## MORE ENERGY-SAVING SOLUTIONS THAN ANY OTHER BRAND

Maytag built the first appliance ever to receive the ENERGY STAR® label. Today we offer more high-efficiency laundry appliances than any other brand — from energy-efficient dryers to highly efficient ENERGY STAR®-qualified washers — to help you save money and build profits.

## MAYTAG® TURBOWASH™ SYSTEM

Specially designed spray baffles and tumble patterns provide more cleaning power while using less water, cutting costs and maximizing your profits.

### FOR YOUR CUSTOMERS:

- Big-Load Design With Oversized Door Opening
- Easy-To-Use One-Touch Cycle Selection
- Display Shows Time Remaining
- Enhanced Super Cycle Options Increase Revenue

### FOR YOUR OPERATION:

- Inverter Drive Technology For Better Efficiency And Longer Life
- Microprocessor Coin-Drop Helps Prevent Slugging
- Accu Trac® Audit System With Two-Way Data Communication
- Debit Card Compatibility
- Self-Diagnostic Feature Cuts Service Costs And Minimizes Downtime
- Easy Service Access
- Programmable LCD Digital Display In English, Spanish Or French

### BUILT-TO-LAST® FEATURES:

- The Best Warranty In The Business
- Extra-Large 3" Drain Valve
- Commercial-Duty Door Handles, Belts And Frame
- Reliable Die-Cast Door Lock Assembly
- Durable Sealed Bearings
- Stainless Steel Top, Front And Sides

\* Compared to previous Maytag® MFR washers. Total savings may vary by model.

# MFR18/25PD



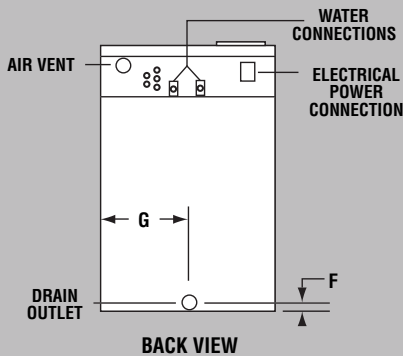
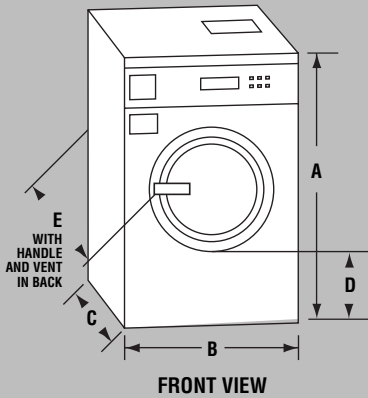
**CUTS WATER USAGE  
BY UP TO 44%  
WITH THE TURBOWASH™  
SYSTEM.\***

Model MFR18PD shown.

# Maytag® Energy Advantage™ Rigid-Mount Washer Extractors

## MICROPROCESSOR COIN-DROP



Available In 18- And 25-Pound Capacities



**THE BEST WARRANTY  
IN THE BUSINESS —  
5 YEARS ON ALL PARTS.**

For a period from the date of original purchase through the time listed above, the designated parts that fail in normal commercial use will be repaired or replaced free of charge for the part itself, with the owner paying all other costs, including labor, transportation and customs duty. Chemical damage is excluded from all warranty coverage. See complete warranty for details.



		Energy Advantage™ Rigid-Mount Washer Extractors	
WASHER SPECIFICATIONS			
MODELS		MFR18PD	MFR25PD
<b>MOTOR</b>			
Inverter drive		•	•
Variable speed		•	•
HP (kw)		.80 (.6)	.80 (.6)
Voltage		120V Single-Phase	120V Single-Phase
<b>AMPERAGE SUPPLY</b>			
		10	10
<b>SPEED</b>			
Wash speed — rpm		48	48
Extract speed — maximum rpm		580	580
Extract speed — maximum g-force		100	100
<b>LIQUID SOAP SIGNALS</b>			
		8	8
<b>WATER INLET/HOSE</b>			
Water inlet — in. (cm)		.75 (1.9)	.75 (1.9)
Operating pressure — psi (bar)		14.5 – 116 (1 – 8)	14.5 – 116 (1 – 8)
Drain size — in. (cm)		3.0 (7.5) O.D.	3.0 (7.5) O.D.
<b>CAPACITY</b>			
Lbs. (kg)		18 (7)	25 (10)
Cylinder volume — cu. ft. (liters)		2.61 (73.9)	3.27 (92.6)
Cylinder diameter — in. (cm)		21 (53.0)	21 (53.0)
Cylinder depth — in. (cm)		13 (33)	16.5 (42)
<b>COLOR</b>			
Stainless Steel		•	•
<b>APPROXIMATE WEIGHT</b>			
Crated — lbs. (kg)		375 (170)	518 (235)
Uncrated — lbs. (kg)		353 (160)	452 (205)
<b>DIMENSIONS</b>			
A) Height — in. (cm)		41.14 (104.5)	44.88 (114)
B) Width — in. (cm)		26 (66)	26 (66)
C) Depth — in. (cm)		24.41 (62)	30.50 (77.5)
D) Floor to bottom of door — in. (cm)		13.75 (34.9)	15.5 (39.4)
E) Depth including handle and vent on back — in. (cm)		27.95 (70.9)	34.06 (86.5)
F) Floor to drain outlet center — in. (cm)		3.62 (92)	3.62 (92)
G) Side to drain outlet center — in. (cm)		13 (33)	13 (33)
<b>Door opening — in. (cm)</b>		<b>11.4 (29)</b>	<b>11.4 (29)</b>
<small>See specific instructions for proper installation. Because of continuous product improvement, Maytag reserves the right to change specifications without notice.</small>			

NEW YORK CITY  
M.E.A.

